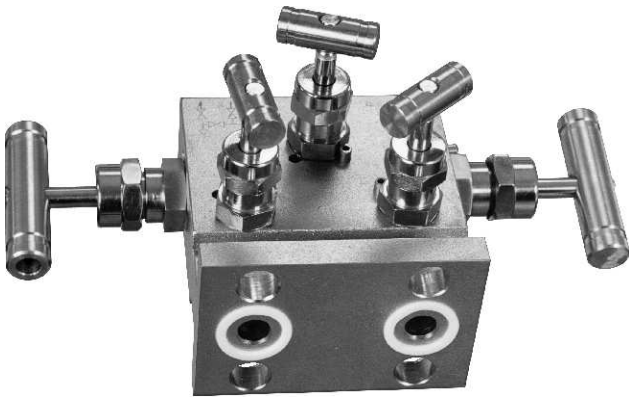
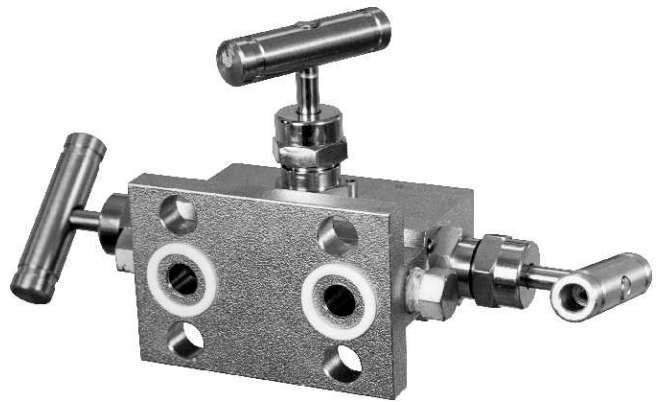


VM-3 and VM-5 valve manifolds

✓ Body material – steel (316 ss)



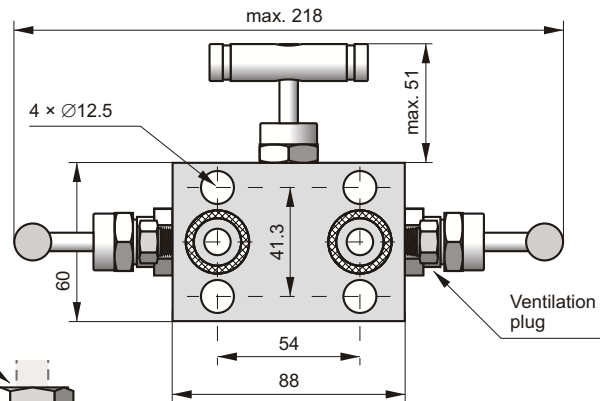
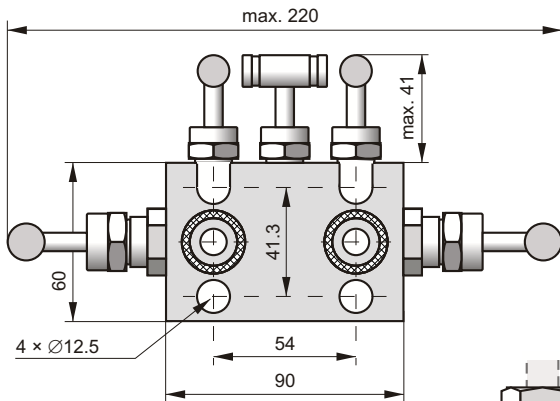
VM-5 valve



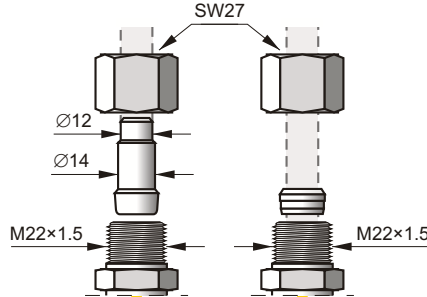
VM-3 valve

Features

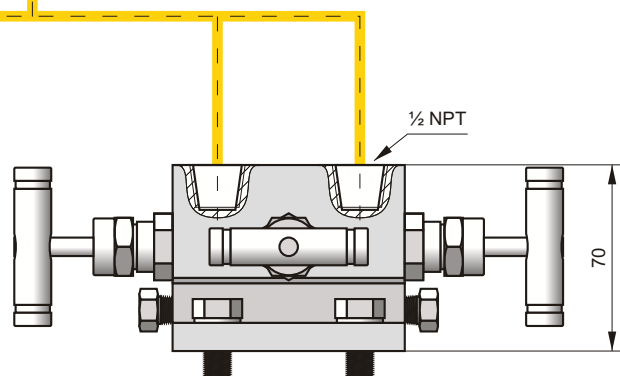
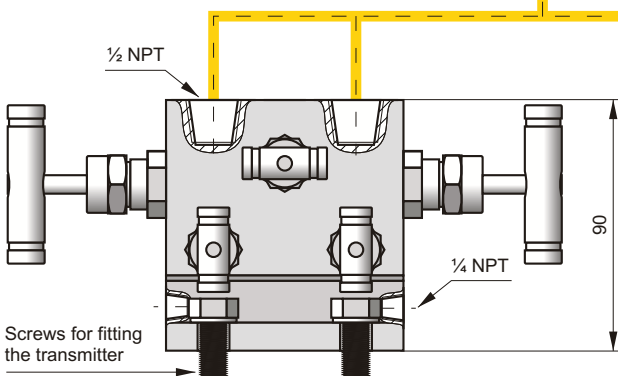
3-valve and 5-valve manifolds are used where relative pressure transmitters are installed. They enable essential operations to be performed on the transmitters, such as starting up a transmitter or setting the zero position in conditions of static or atmospheric pressure. The five-valve manifold also enables a calibrator to be connected for metrological testing of the transmitter. The VM-3 and VM-5 have a modern lightweight construction. The high precision of manufacture enables individual valves to be opened and closed easily.



Weldable connector for impulse line made from:
stainless steel 316Lss /1/
K11562 steel /2/



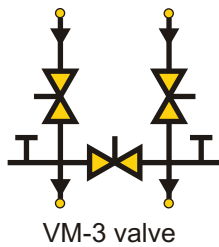
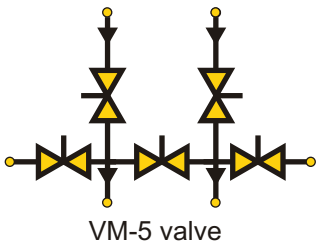
Connector for impulse line, made from 316ss stainless steel with a clamping ring:
Ø12 /3/
Ø14 /4/



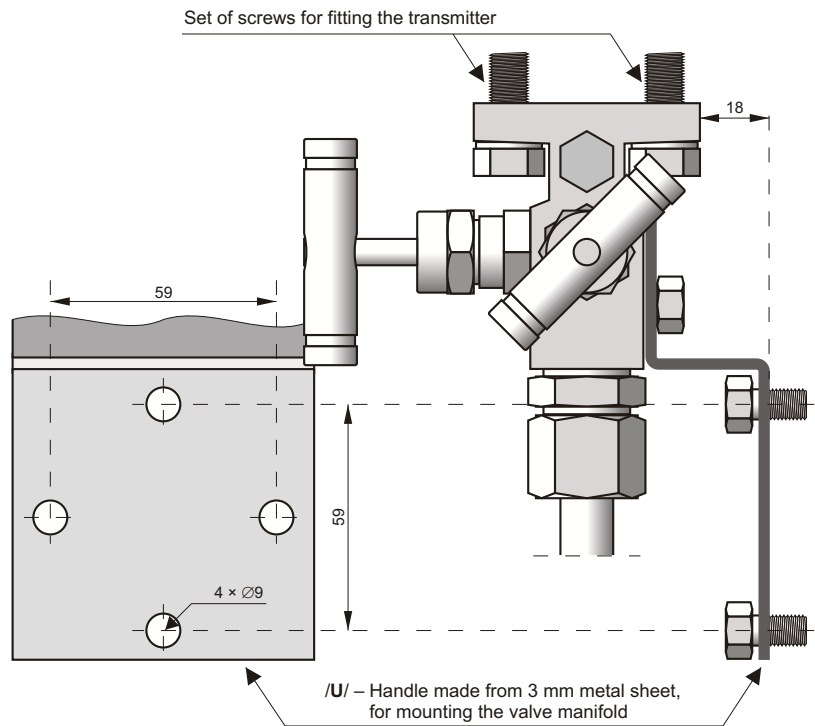
Technical parameters

- Maximum pressure** 400 bar
(according to the graph)
- Pin packing** PTFE
or graphite
- Body material** 316ss
- Weight:** VM-3 1.8 kg
VM-5 2.54 kg
- Connectors:**
to the installation – ½ NPT sockets
to the transmitter – 54 mm spacing

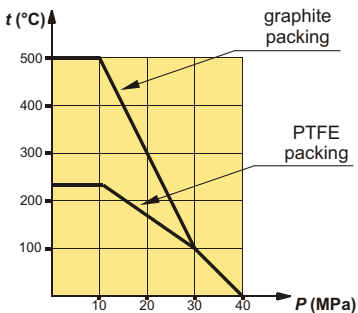
Connection diagrams



Example of installation of the VM-3 with fitting accessories

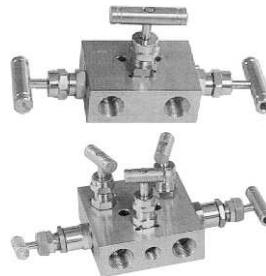


Operating pressure range as a function of temperature



Special versions

Versions R



Versions H



Recommendations concerning selection of valves

The standard versions of the valves have Teflon pin packing; a special version is available with graphite packing. The special version should be used only when the valves operate at temperatures in excess of 200°C.

The valve manifold is supplied with seals for the collar-type output points. To order, it can be supplied additionally with a set of M10 or 7/16" (stainless steel) screws for fitting the transmitter, connectors for impulse lines and a sheet-metal handle used to mount the valve on the construction.

Ordering procedure

Valve manifolds:

- 3-valve – **VM-3** / / /
- 5-valve – **VM-5** / / /

Special versions:

- H** – constructional versions (only VM-3)
- R** – constructional versions
- Graphite** – graphite pin packing
- Tlen** – valve adapted to contact with oxygen

Additional equipment – description:

Code

Product

- | | |
|----------|---|
| A | Set of M10 screws for fitting the transmitter |
| B | Set of 7/16" × 25 mm screws for fitting the transmitter |
| C | Set of 7/16" × 55 mm screws for fitting the transmitter with covers type COPLANAR |
| 1 | Set of weldable stainless steel connectors (316ss) |
| 2 | Set of weldable steel connectors (K11562) |
| 3 | Set of connectors with Ø12 clamping ring |
| 4 | Set of connectors with Ø14 clamping ring |
| U | Handle for mounting the valve |

Fitting accessories

Valves



Needle valve VM-1

Material 316ss
Medium temperature, working pressure – according to the graph on page 53
Ordering code:

- Valve VM-1/M** (input M20×1.5 M, output M20×1.5 F, Teflon packing)
- Valve VM-1/G** (input G1/2" M, output G1/2" F, Teflon packing)
- Valve VM-1/graphite** (input M20×1.5 M, output M20×1.5 F, Graphite packing)
- Valve VM-1 oxygen** (valve designed for contact with oxygen; input M20×1.5 M, output M20×1.5 F, Teflon packing)

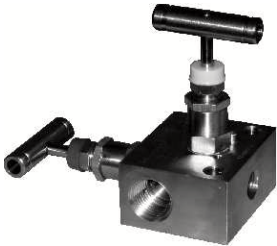


Needle valve VM-1-R/R

Material 316ss
Medium temperature, working pressure – according to the graph on page 53
Input 1/2NPT F, output 1/2NPT F, Graphite packing, no vent port

Ordering code:

- Valve VM-1-R/R/** _____
- 1 – Set of weldable stainless steel connectors (316ss)
 - 2 – Set of weldable steel connectors (K11562)
 - 3 – Set of connectors with Ø12 clamping ring
 - 4 – Set of connectors with Ø14 clamping ring



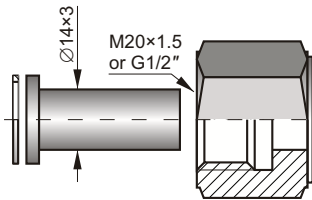
2-Valve Manifold VM-2

Material 316ss
Medium temperature, working pressure – according to the graph on page 53
Input 1/2NPT F, output 1/2NPT F, Teflon packing, vent port 1/4 NPT F

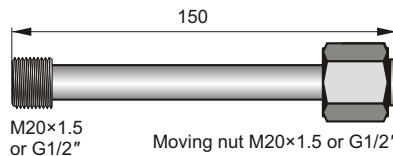
Ordering code:

Valve VM-2-R/R

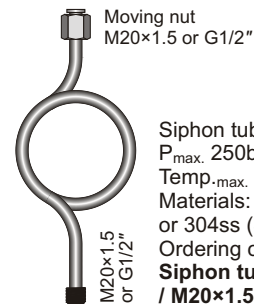
Fitting sockets, transmission tubes



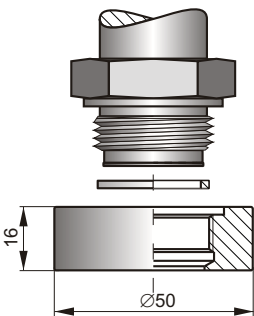
Connector to weld
Materials: 15HM – (SO) or 316ss (S)
Ordering code
RedSpaw – S or SO / M20×1.5 or G1/2"



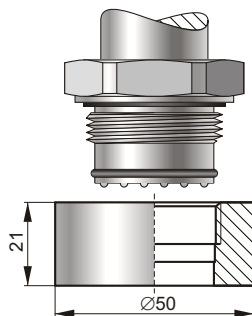
Impulse line
P_{max.} 100bar
Materials: R35 – (SO) or 304ss (S)
Ordering code
Impulse line – S or SO / M20×1.5 or G1/2"



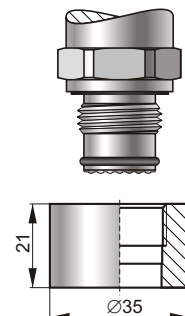
Siphon tube
P_{max.} 250bar
Temp._{max.} 300°C
Materials: R35 – (SO)
or 304ss (S)
Ordering code
Siphon tube – S or SO / M20×1.5 or G1/2"



Socket with M30×2 thread for fitting transmitters with a CM30×2 process connection
Material – 316Lss
Sealing – teflon
Ordering code **Socket CM30×2**

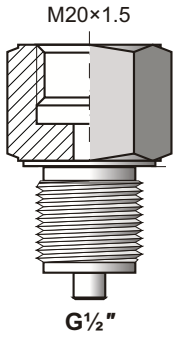


Socket with G1" thread for fitting transmitters with a CG1 process connection
Material – 316Lss
Sealing – teflon
Ordering code **Socket CG1**



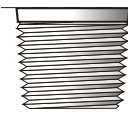
Socket with G1/2" thread for fitting transmitters with a CG1/2 process connection
Material – 316Lss
Sealing – teflon
Ordering code **Socket CG1/2**

Adapters



Material – 316Lss (S)
Ordering code: **Red**

Dimension of male thread



R1/2"



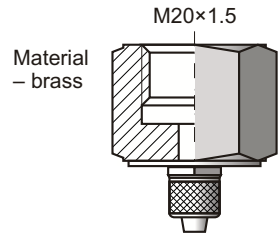
1/4NPT



M12x1.5

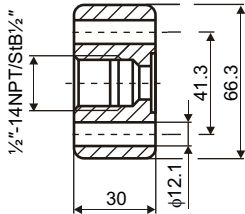
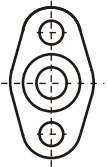


G1/4"



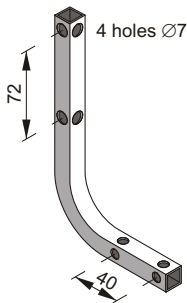
Material – brass

Ø6x1 elastic tube
Ordering code:
RedØ6 – M

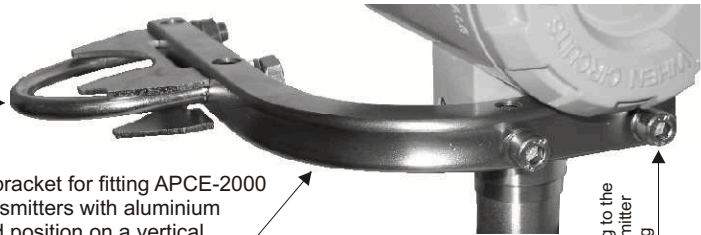


Adapter for differential pressure transmitters with C type process connection
Material – 316Lss
Ordering code: **Red-dP/1/2" NPT**

Mounting brackets



Clasp for fitting on a pipe



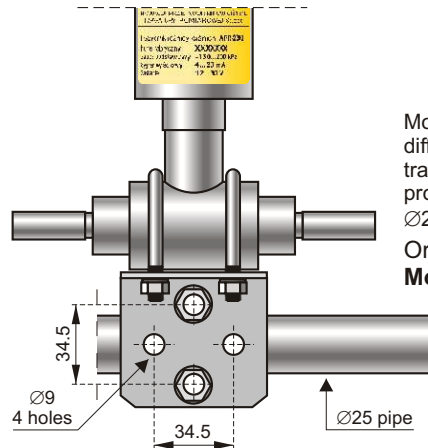
Universal mounting bracket for fitting APCE-2000 and APRE-2000 transmitters with aluminium casing in any desired position on a vertical or horizontal pipe (Ø30...Ø50)

Ordering code:
Mounting bracket AL

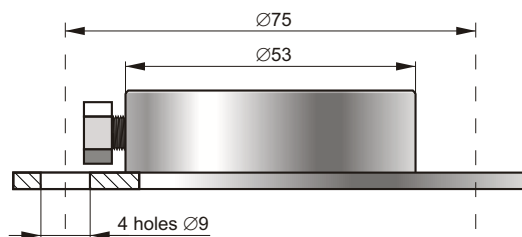
Fitting to the transmitter casing



Mounting bracket for fitting differential pressure transmitters with C type process connections on a 2" pipe or on a wall
Ordering code:
Mounting bracket C-2"



Mounting bracket for fitting differential pressure transmitters with P type process connections on a Ø25 pipe.
Ordering code:
Mounting bracket FI 25



Movable flange for fitting the PC-28P probe to horizontal tank covers (factory fitted, must therefore be specified when ordering the probe).
Material – 304ss
Specification: **Movable flange fastener**